



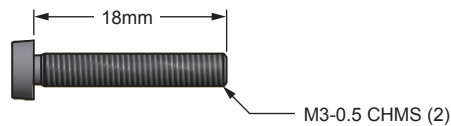
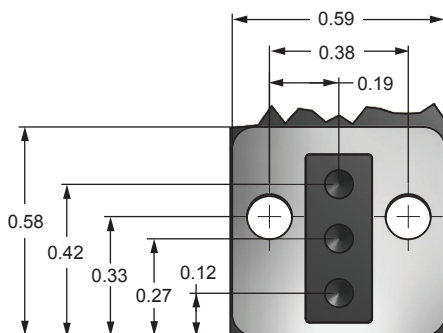
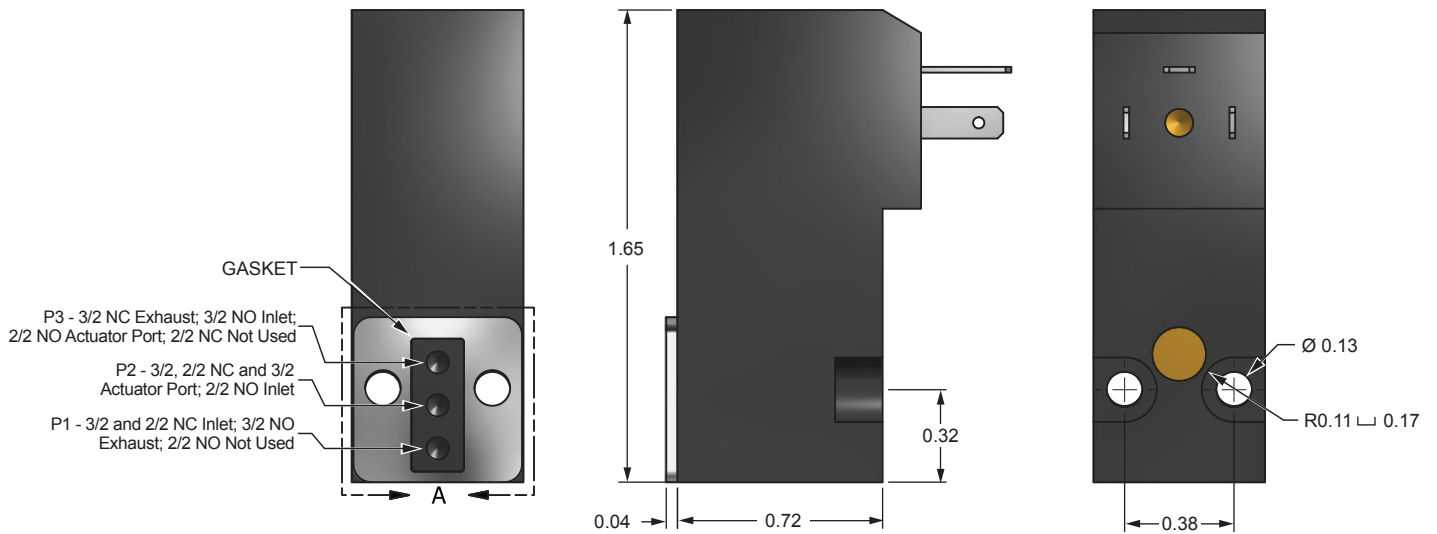
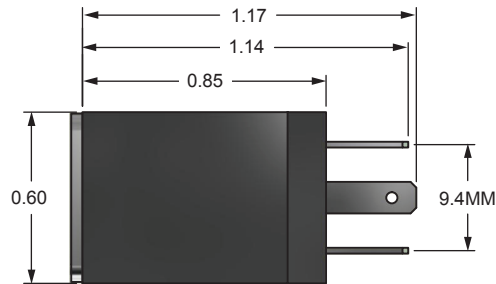
Series 1500

Solenoid Operators 15mm Sub-Base Mount

The Spartan Scientific Series 1500 is a 15 mm wide 2-Way & 3-Way, 2-Position solenoid valve which features small size with large flow and consistent, repeatable function. Available in orifice sizes 0.8, 1.0, 1.1 and 1.5 mm, the Series 1500 can flow up to a Cv of 0.04 and offers pressure range from 0 to 145 PSI in the 2.5 watt versions. The 9.4 mm electrical pin spacing is an industry standard. The valve body is made from durable thermoplastic and comes standard with a push non-locking manual override. Featuring an environment resistant IP 65 rating, the valve can withstand humid and dirty conditions. The Series 1500 features a captured exhaust port that is connected through the sub-base. Available in 12 or 24 VDC or 24, 110 and 220 VAC, the Series 1500 boasts power consumptions of 1.0 to 2.5 watts.

Dimensional Data

ALL DIMENSIONS ARE IN INCHES UNLESS OTHERWISE NOTED



MOUNTING HOLE / PASSAGE PATTERN (Gasket and mounting screws provided)



Series 1500

Solenoid Operators 15mm Sub-Base Mount

Technical Data

Function: 2-Way, 2-Position; Direct Acting
Normally Closed or Normally Open
3-Way 2-Position; Direct Acting
Normally Closed or Normally Open; 3-Ported Body

Orifice Size/ 0.8mm / 0.02 Cv
1.0mm / 0.02 Cv

Flow Factor: 1.1mm / 0.03 Cv
1.5mm / 0.04 Cv

Pressure Range: 0 to 145 psi (depending on orifice size and function)

Temp. Range: Fluid max.: +60°C
Dry Range: Ambient +10° to +50°C

Response Time: 10 to 15ms complete cycle

Media: Air

Manual Override: Push, non-lock (standard)

Environment IP65 (IEC 144), NEMA 4

Protection: Dust-tight and water resistant (with electrical connector)

Mounting: M3 x 18mm machine screws (2).

Wetted Materials: Elastomers: NBR (others available on request)
Operator: 300 and 400 Series Stainless Steel
Shading Ring: Copper
Springs: 300 Series Stainless Steel
Valve Body: PPS

Coil Data: Duty Cycle: Continuous (within specifications)
Encapsulation: Glass-Filled Nylon
Insulation: Class F
Power Rating: 2.5 Watt VDC, 4 VA VAC (others available on request)
Voltage: 12, 24 VDC
24, 110, 220 VAC 50/60 Hz
Voltage tolerance: +/- 10% Nominal
Winding: Class H

Connections: DIN Spades: Accordance to DIN 43650
Form "A"/ISO 4400, EN175301-803:2000
Flying Lead Wires: PVC 22 AWG, Multi-Strand
Copper Wire, 300V, 12" length

Packaged Weight: 0.91 lbs.

SOLENOID OPERATORS

PERFORMANCE DATA TABLE						
Function	Orifice mm (port 1)	Orifice mm (port 3)	Pressure psi		Power	
			MIN	MAX	W DC	VA AC
3/2 NC	0.8	1	0	115	1	3
3/2 NC	1.1	1.5	0	145	2.5	3
3/2 NC	1.5	1.5	0	85	2.5	3
2/2 NC	0.8	-	0	115	1	3
2/2 NC	1.1	-	0	145	2.5	3
2/2 NC	1.5	-	0	85	2.5	3
3/2 NO	1.0	1.1	0	100	2.5	3
3/2 NO	1.5	1.5	0	50	2.5	3
2/2 NO	1.0	-	0	145	2.5	3
2/2 NO	1.5	-	0	145	2.5	3



How To Order

Coil Type
0 - 9.4mm
2 - Flying Lead

1500 - B A - 800

Voltage
2 - 12 VDC
3 - 24 VDC
6 - 24 VAC / 50/60 Hz
7 - 110 VAC / 50/60 Hz
8 - 220 VAC / 50/60 Hz

Function	Orifice	Wattage	Cv	Pressure
1 - 3/2 N.C.	0.8mm	1.0	0.02	115 psi
2 - 3/2 N.C.	1.1mm	2.5	0.03	145 psi
3 - 3/2 N.C.	1.5mm	2.5	0.04	85 psi
4 - 2/2 N.C.	0.8mm	1.0	0.02	115 psi
5 - 2/2 N.C.	1.1mm	2.5	0.03	145 psi
6 - 2/2 N.C.	1.5mm	2.5	0.04	85 psi
7 - 3/2 N.O.	1.0mm	2.5	0.02	100 psi
8 - 3/2 N.O.	1.5mm	2.5	0.04	50 psi
9 - 2/2 N.O.	1.0mm	1.0	0.03	145 psi
A - 2/2 N.O.	1.5mm	2.5	0.04	145 psi

Order Example: 1500-0B1A-8002
9.4mm coil, 3/2 N.C. / 0.8mm orifice,
1.0 watt, 0.02 Cv, 115 psi, 12 VDC