



Series 3835

Application and Installation Guide



SPARTAN SCIENTIFIC

Warranty Information

Solenoid valves and all other products manufactured by Spartan are warranted by Spartan to be free from defects in material and workmanship for a period of 1 year from the date of purchase. Spartan's obligation under this warranty is limited to repair or replacement of the defective product or refund of the purchase price paid solely at the discretion of Spartan and provided such defective product is returned to Spartan freight prepaid and upon examination by Spartan such product is found defective. This warranty shall be void in the event that the product has been subject to misuse, misapplication, improper maintenance, modification or tampering. This warranty is expressed in lieu of all other warranties, expressed or implied from Spartan Scientific, Inc., representatives or employees.

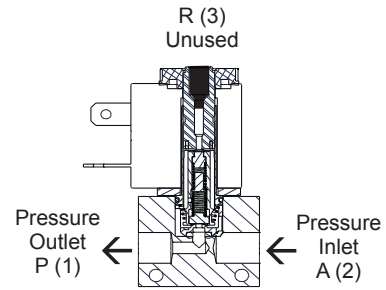


Series 3835

Application and Installation Guide

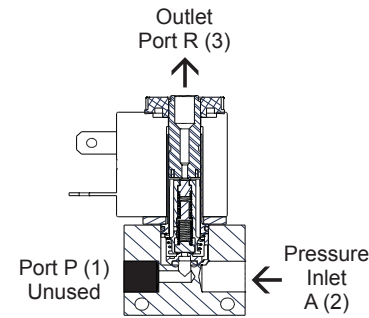
Series 3835, 1/8" NPT Solenoid Valves

Two-Way, Two Position, Normally Closed



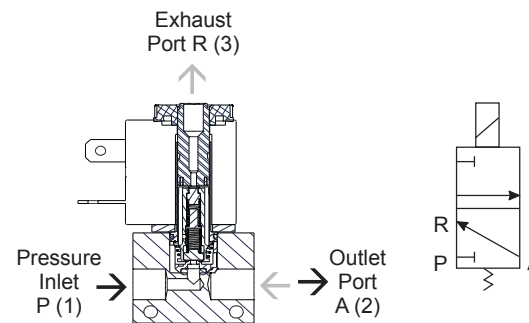
- Position 1) Coil De-energized. Pressure inlet port A (2) is closed from outlet port P (1). Port R (3) is unused.
- Position 2) Coil Energized. Pressure inlet port A (2) is connected to outlet port P (1).

Two-Way, Two Position, Normally Open



- Position 1) Coil De-energized. Pressure inlet port A (2) is open to outlet port R (3). Port P is unused.
- Position 2) Coil Energized. Pressure inlet port A (2) is blocked to outlet port R (3).

Three-Way, Two Position, Normally Closed



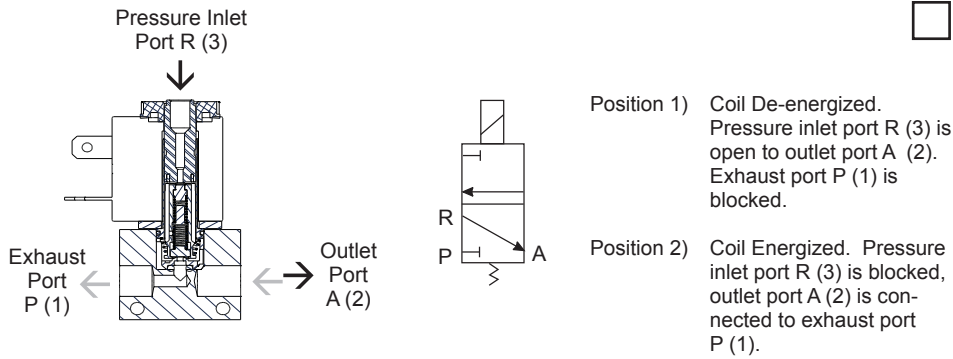
- Position 1) Coil De-energized. Pressure inlet port P (1) is blocked and outlet port A (2) is open to exhaust port R (3).
- Position 2) Coil Energized. Pressure inlet port P (1) is open to outlet port A (2). Exhaust port R (3) is blocked.



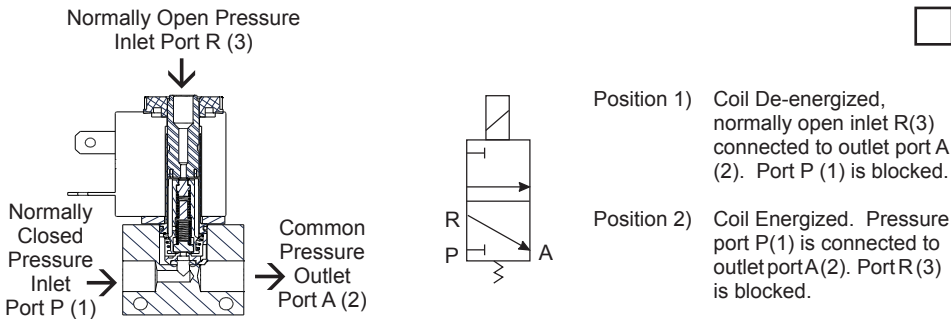
Series 3835

Application and Installation Guide

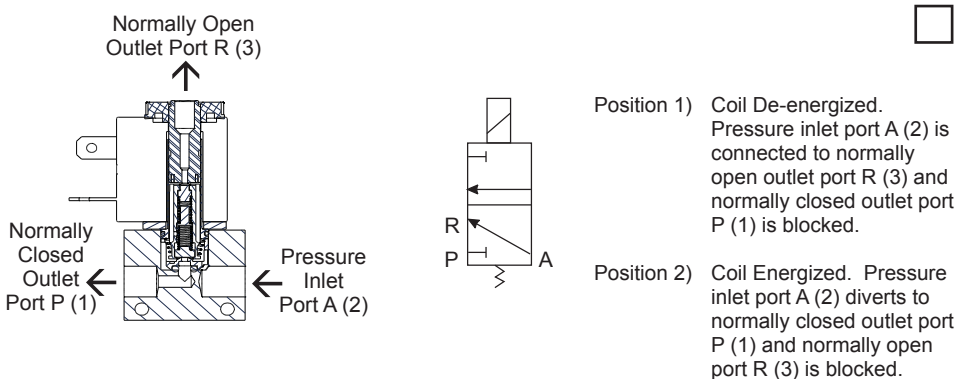
Three-Way, Two Position, Normally Open



Three-Way, Two Position, Mixing Function



Three-Way, Two Position, Diverter Function



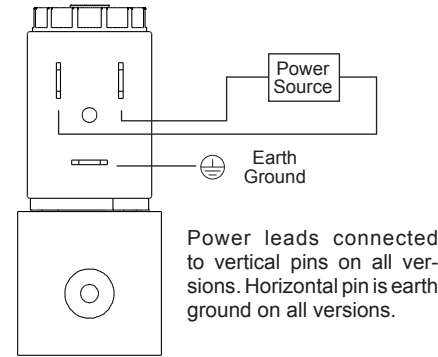
Series 3835

Application and Installation Guide

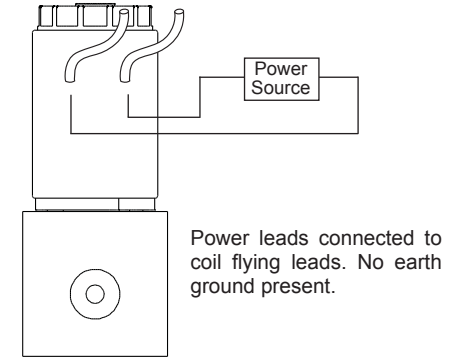


Electrical Hook-Up

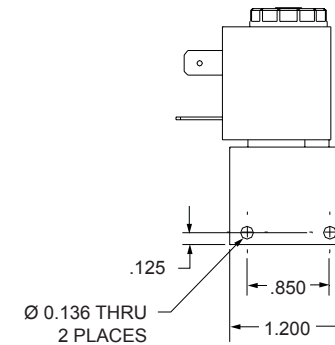
Spade Style Coil



Flying Lead Style Coil



Mounting Diagram



Caution

Excessive use of pipe sealant can cause clogging and leakage. Please follow ASME standards for applying pipe sealant and tape. Do not use media, voltage or pressures other than that recommended by Spartan Scientific Inc. as valve malfunction could result. Misuse or misapplication of Spartan solenoid valves could cause serious bodily injury or property damage.