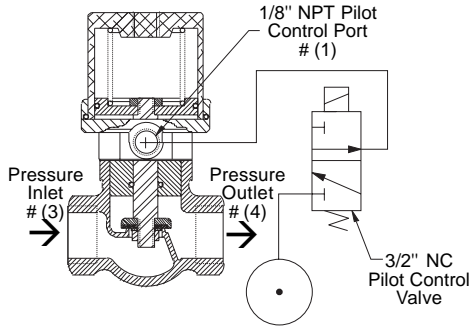




# Series APV-10

## Application and Installation Guide

### Two-Way, Two Position, Normally Closed



- Normally Closed - Requires a 3/2 way normally closed pilot valve to operate.
1. Connect inlet port of pilot valve to air supply.
  2. Connect outlet port of pilot valve to cylinder port #1 on APV10.
  3. Connect main media supply to port #3 on APV10.
  4. Main media outlet port is shown as port #4.

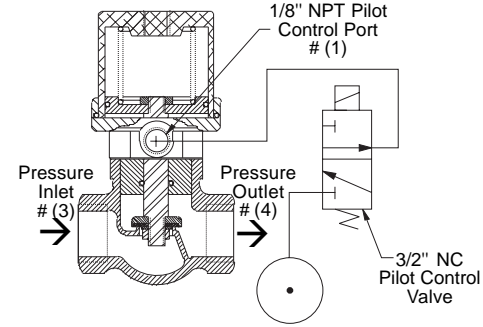
\*Note: If pilot supply is interrupted, APV10 will fail closed.



# Series APV-10

## Application and Installation Guide

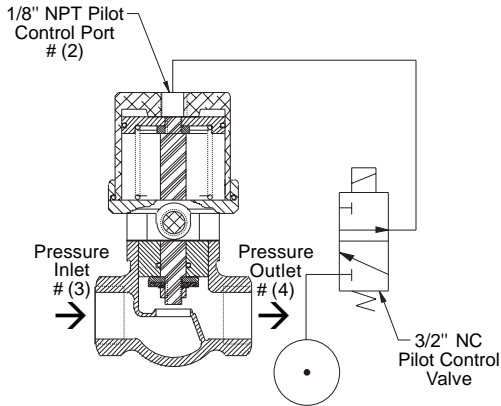
### Two-Way, Two Position, Normally Closed



- Normally Closed - Requires a 3/2 way normally closed pilot valve to operate.
1. Connect inlet port of pilot valve to air supply.
  2. Connect outlet port of pilot valve to cylinder port #1 on APV10.
  3. Connect main media supply to port #3 on APV10.
  4. Main media outlet port is shown as port #4.

\*Note: If pilot supply is interrupted, APV10 will fail closed.

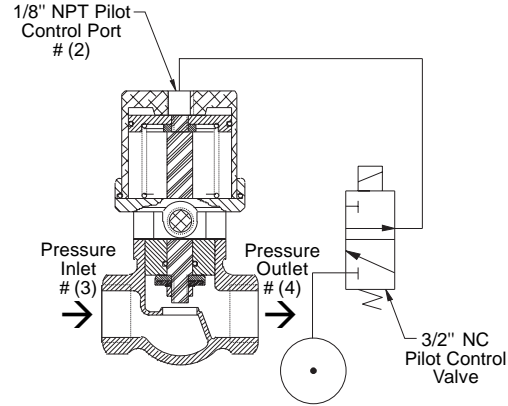
### Two-Way, Two Position, Normally Open



- Normally Open - Requires a 3/2 way normally closed pilot valve to operate.
1. Connect inlet port of pilot valve to air supply.
  2. Connect outlet port of pilot valve to cylinder port #2 on APV10.
  3. Connect main media supply to port #3 on APV10.
  4. Main media outlet port is shown as port #4.

\*Note: If pilot supply is interrupted, APV10 will fail open.

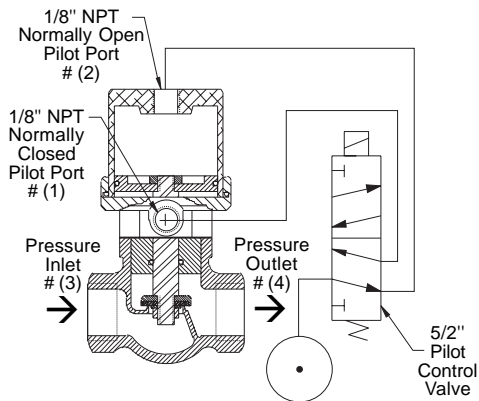
### Two-Way, Two Position, Normally Open



- Normally Open - Requires a 3/2 way normally closed pilot valve to operate.
1. Connect inlet port of pilot valve to air supply.
  2. Connect outlet port of pilot valve to cylinder port #2 on APV10.
  3. Connect main media supply to port #3 on APV10.
  4. Main media outlet port is shown as port #4.

\*Note: If pilot supply is interrupted, APV10 will fail open.

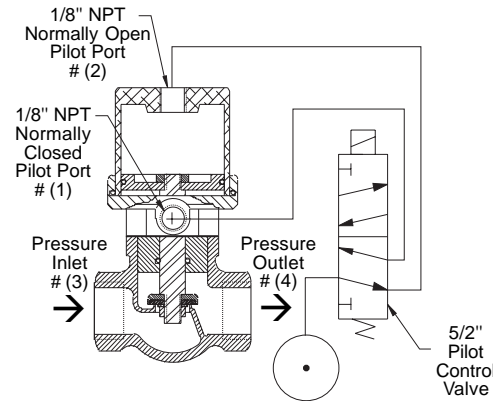
### Two-Way, Two Position, Double Acting



- Double Acting - Requires a 5/2 way pilot control valve to operate.
1. Connect inlet port of pilot control valve to air supply.
  2. APV10 Function Control
    - A. Normally closed operation
      1. Connect normally open outlet port on pilot control valve to cylinder port #2 on APV10.
      2. Connect normally closed outlet port on pilot control valve to cylinder port #1 on APV10.
    - B. Normally open operation
      1. Connect normally open outlet port on pilot control valve to cylinder port #1 on APV10.
      2. Connect normally closed outlet port on pilot control valve to cylinder port #2 on APV10.
  3. Connect main media supply to port #3 on APV10.
  4. Main media outlet port is shown as port #4.

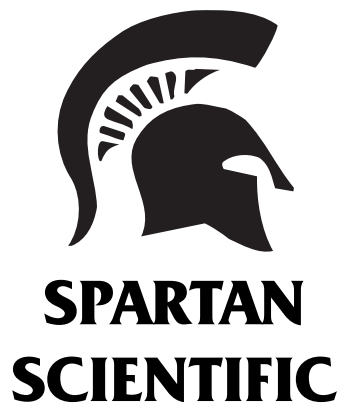
\*Note: In most cases, if pilot supply is interrupted, APV10 will fail open.

### Two-Way, Two Position, Double Acting



- Double Acting - Requires a 5/2 way pilot control valve to operate.
1. Connect inlet port of pilot control valve to air supply.
  2. APV10 Function Control
    - A. Normally closed operation
      1. Connect normally open outlet port on pilot control valve to cylinder port #2 on APV10.
      2. Connect normally closed outlet port on pilot control valve to cylinder port #1 on APV10.
    - B. Normally open operation
      1. Connect normally open outlet port on pilot control valve to cylinder port #1 on APV10.
      2. Connect normally closed outlet port on pilot control valve to cylinder port #2 on APV10.
  3. Connect main media supply to port #3 on APV10.
  4. Main media outlet port is shown as port #4.

\*Note: In most cases, if pilot supply is interrupted, APV10 will fail open.



**Warranty Information**

Solenoid valves and all other products manufactured by Spartan are warranted by Spartan to be free from defects in material and workmanship for a period of 1 year from the date of purchase. Spartan's obligation under this warranty is limited to repair or replacement of the defective product or refund of the purchase price paid solely at the discretion of Spartan and provided such defective product is returned to Spartan freight prepaid and upon examination by Spartan such product is found defective. This warranty shall be void in the event that the product has been subject to misuse, misapplication, improper maintenance, modification or tampering. This warranty is expressed in lieu of all other warranties, expressed or implied from Spartan Scientific, Inc., representatives or employees.

**Warranty Information**

Solenoid valves and all other products manufactured by Spartan are warranted by Spartan to be free from defects in material and workmanship for a period of 1 year from the date of purchase. Spartan's obligation under this warranty is limited to repair or replacement of the defective product or refund of the purchase price paid solely at the discretion of Spartan and provided such defective product is returned to Spartan freight prepaid and upon examination by Spartan such product is found defective. This warranty shall be void in the event that the product has been subject to misuse, misapplication, improper maintenance, modification or tampering. This warranty is expressed in lieu of all other warranties, expressed or implied from Spartan Scientific, Inc., representatives or employees.