



Series APV-20

Application and Installation Guide

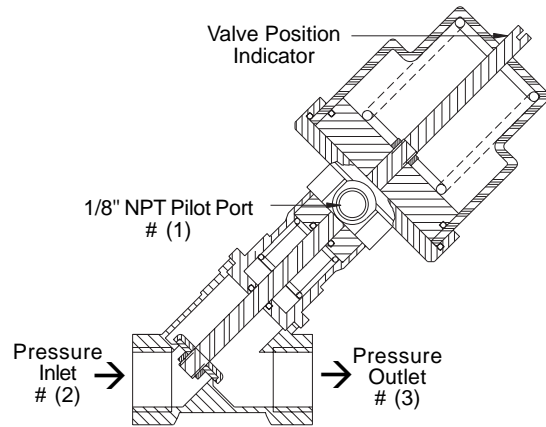
Two-Way, Two Position, Normally Closed

Normally Closed - Requires a 3/2 way normally closed pilot valve to operate.

Closed (normal) position - Pilot supply is connected to port #1 and is blocked. Piston/seal assembly is held firm against the valve seat by means of the main spring. Media flow passage port #2 to port #3 is blocked.

Open position - Pilot supply is opened allowing pressure to enter the cylinder creating the force to raise the piston/seal assembly. Media flows from port #2 to port #3.

*Note: In the event that pilot pressure is interrupted, valve will switch to the closed position.



Warranty Information

Solenoid valves and all other products manufactured by Spartan are warranted by Spartan to be free from defects in material and workmanship for a period of 1 year from the date of purchase. Spartan's obligation under this warranty is limited to repair or replacement of the defective product or refund of the purchase price paid solely at the discretion of Spartan and provided such defective product is returned to Spartan freight prepaid and upon examination by Spartan such product is found defective. This warranty shall be void in the event that the product has been subject to misuse, misapplication, improper maintenance, modification or tampering. This warranty is expressed in lieu of all other warranties, expressed or implied from Spartan Scientific, Inc., representatives or employees.

Form A56-2062 REV. 00

SPARTAN SCIENTIFIC

P.O. Box 9792, Boardman, Ohio 44513
(330) 758-8446 Fax: (330) 758-3314



Series APV-20

Application and Installation Guide

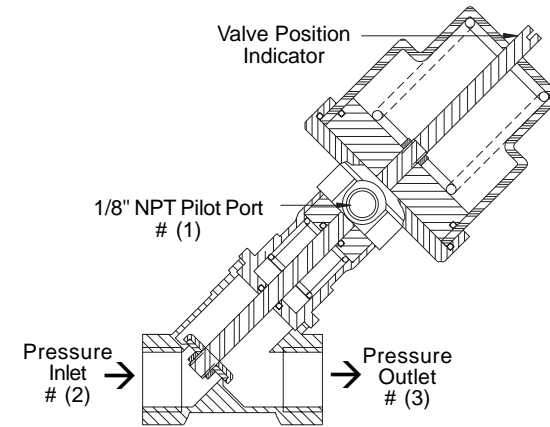
Two-Way, Two Position, Normally Closed

Normally Closed - Requires a 3/2 way normally closed pilot valve to operate.

Closed (normal) position - Pilot supply is connected to port #1 and is blocked. Piston/seal assembly is held firm against the valve seat by means of the main spring. Media flow passage port #2 to port #3 is blocked.

Open position - Pilot supply is opened allowing pressure to enter the cylinder creating the force to raise the piston/seal assembly. Media flows from port #2 to port #3.

*Note: In the event that pilot pressure is interrupted, valve will switch to the closed position.



Warranty Information

Solenoid valves and all other products manufactured by Spartan are warranted by Spartan to be free from defects in material and workmanship for a period of 1 year from the date of purchase. Spartan's obligation under this warranty is limited to repair or replacement of the defective product or refund of the purchase price paid solely at the discretion of Spartan and provided such defective product is returned to Spartan freight prepaid and upon examination by Spartan such product is found defective. This warranty shall be void in the event that the product has been subject to misuse, misapplication, improper maintenance, modification or tampering. This warranty is expressed in lieu of all other warranties, expressed or implied from Spartan Scientific, Inc., representatives or employees.

Form A56-2062 REV. 00

SPARTAN SCIENTIFIC

P.O. Box 9792, Boardman, Ohio 44513
(330) 758-8446 Fax: (330) 758-3314