



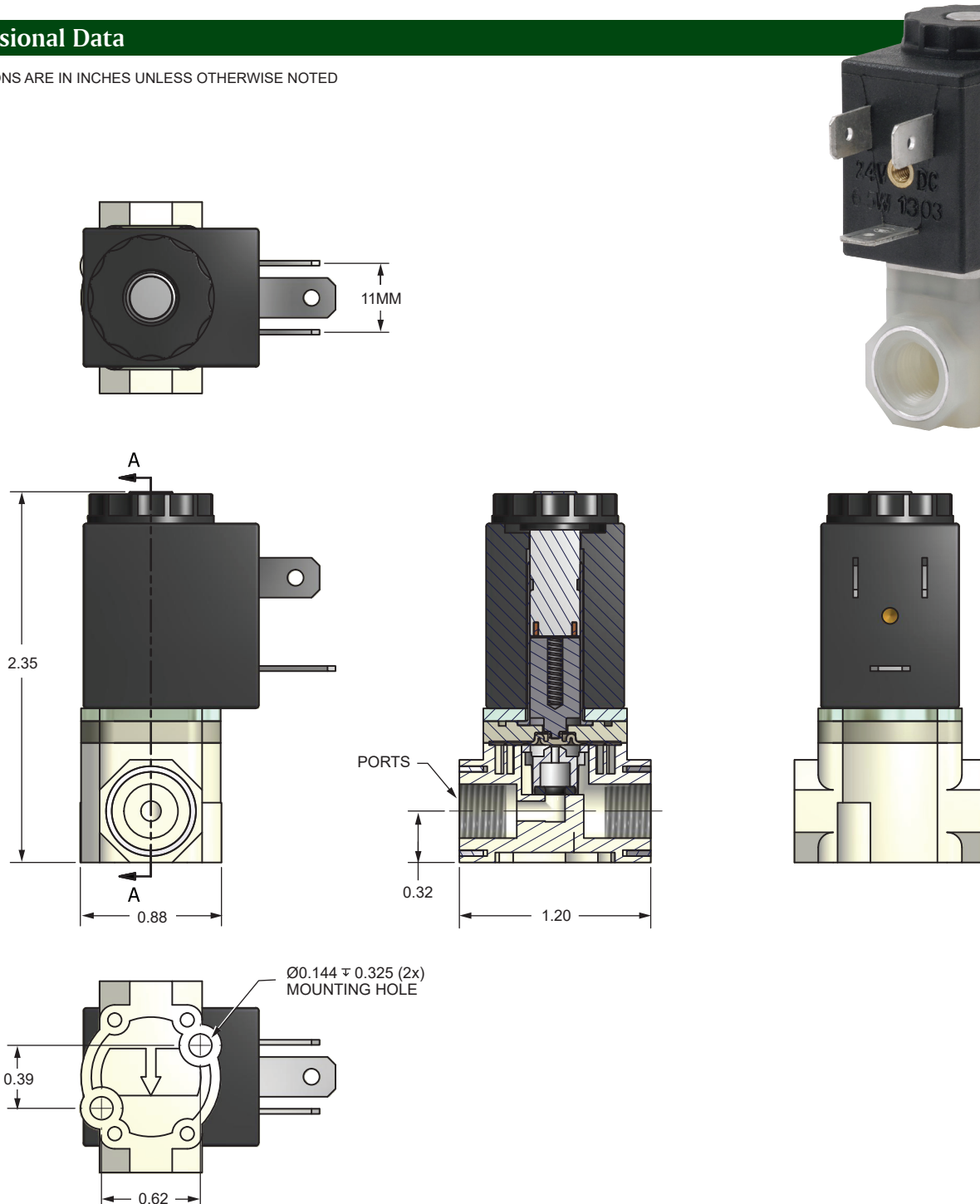
# Series 3B23

Media Separated  
2-Way

The Spartan Scientific Series 3B23 is a compact, media separated 2-Way Normally Closed solenoid valve for use with air, chemicals, gases or water whereby the media is contained in the nylon body valve cavity and does not come into contact with the metal parts of the solenoid operator. The 3B23 features a long life solenoid that incorporates a fully encapsulated coil, stainless steel plunger and tube assembly as well as a rolling diaphragm which enables the valve to function at pressures up to 120 psi with orifice size of 1.2mm and a flow rate of 0.06Cv. The single in-line valve body features metal reinforced 1/8"NPT threads and has an ultra small volume and simple flow path for clean switching. The valve is available in all standard voltages and comes standard with a 6.5 watt coil.

## Dimensional Data

ALL DIMENSIONS ARE IN INCHES UNLESS OTHERWISE NOTED



MEDIA  
SEPARATED



# Series 3B23

Media Separated  
2-Way

## Technical Data

**Function:** 2-Way, 2-Position; Direct Acting;  
Media Separated Solenoid; Normally Closed

**Port Size:** 1/8" NPT

**Orifice Size /  
Flow Factor:** 1.2mm  
0.06 Cv

**Pressure Range:** 0 to 120 psi (depending on orifice size and function)  
Note: Pressure ratings obtained with outlet port open to atmosphere. (15 psi back pressure maximum)

**Temp. Range:** Fluid Max.: +60°C  
Dry Range: Ambient +10° to +50°C

**Response Time:** 18 to 25ms Complete Cycle

**Media:** Air, chemicals, gases, water  
(contact factory for compatibilities)

**Environment  
Protection:** IP65 (IEC 144), NEMA 4  
Dust-tight and water resistant  
(with electrical connector)

**Mounting:** Ø0.144" x 0.325" DP holes (2)

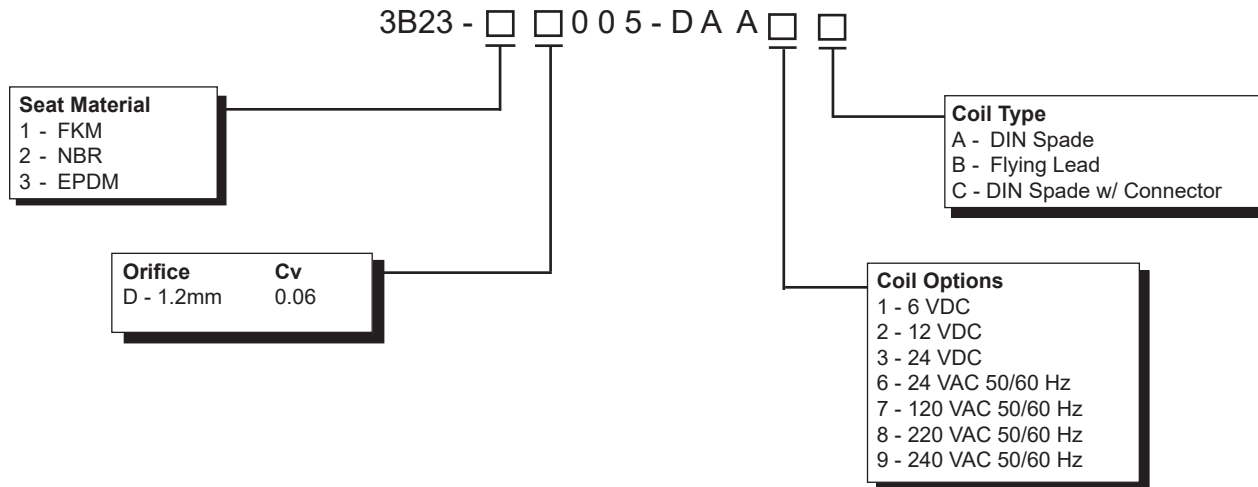
**Wetted Materials:** Elastomers: EPDM FDA approved, FKM, NBR  
(others available on request)  
Valve Body: Glass-Filled Nylon NSF approved

**Coil Data:** Duty Cycle: Continuous (within specifications)  
Encapsulation: Glass-Filled Nylon  
Insulation: Class F  
Power Rating: 6.5 Watt VDC, 8.5 VA VAC  
(others available on request)  
Voltage: 6, 12, 24 VDC  
24, 120, 220, 240 VAC 50/60 Hz  
Voltage tolerance: +/- 10% Nominal  
Winding: Class H

**Connections:** DIN Spades: Accordance with DIN 43650  
Form "A" / ISO 4400, EN175301-803:2006  
Flying Lead: PVC 22 AWG, Multi-Strand Copper Wire,  
300V, 12" minimum length

**Packaged Weight:** 0.34 lbs.

## How To Order



Order Example: 3B23-1D005-DAA1A  
FKM, 1.2mm orifice, 6 VDC, DIN Spade.